

sapa:

Architectural **Aluminium** Solutions

Plaisance 24



Sliding Systems

Sapa Building System



Plaisance 24 is Sapa's non-insulated sliding system for windows and doors. Available as one-, two-, three- and four-rail solution. Among its features, there are its appealing design, end caps and extensive range of design handles. Making it the appropriate sliding system for your projects in any building style.



System features

- » Plaisance 24 includes a wide range of frame profiles to allow a variety of building connections and design requirements. Solutions for hidden drainage are available.
- » Reinforced profiles make it possible to construct sliding doors up to 2,5 m.
- » The rail is available in stainless steel or anodised aluminium.
- » Stainless steel bottom rollers can take up to 200 kg for each vent and still ensure smooth operation. A synthetic version is also available.
- » Glass of 6 up to 24 mm is pocket glazed.
- » Plaisance 24 is compatible with other Sapa Building System products such as turning systems, curtain walls, conservatories and fly screens.
- » A combination of multipoint locking and filling plugs with additional security features assures higher safety.

Resistance

- » Perfect drainage via punched drain holes, pre-punched glazing gaskets and sealing plugs.
- » Fin seal brush gaskets prevent water infiltration.
- » Brush filling plugs, positioned centrally between each vent, keep the sliding system draught free.
- » Weather resistance: A3, E2, V2
(NF P 20 501/NF P 20 302)

Environment

- » All Sapa profiles are easily cleaned
- » Aluminium does not rust, rot or tear and the shape will not deform
- » Aluminium is a "green" product: it can be recycled infinitely without quality loss

Design

- » Plaisance 24 was particularly designed to offer a very appealing design in both frame and vent. The reinforced profiles have been developed in this philosophy as well.
- » The gutter detail allows the internal floor finish to be flush with the frame and avoids thresholds.
- » Handles, automatic or not, can be used at in- and/or outside, they can be built in or on the profile and are available with or without key.
- » All standard shades and ventilation systems can easily be integrated.
- » A comprehensive range of supplementary finishing profiles allows the fenestration to be perfectly integrated into the building.
- » The end caps and filling plugs finish off Plaisance 24.

Finishes

- » Over 400 powder coated paint colours in matt, gloss or satin.
- » Unique wood effect, textured and textured metallic ranges are available.
- » Anodised finish is also an option.
- » Accessories can be supplied in corresponding colours to match the profiles.
- » The polyamide thermal break allows bi-colour finishes. As a result, the exterior building requirements do not infringe the interior design requests.
- » Our surface finishes meet the highest standards of Qualicoat or Qualanod.





Fabrication

- » Frames are assembled using eccentric or press cleats. Vents are screwed together.
- » All profiles are prefabricated using specially designed punching tools. The drainage holes, vent cut outs and the holes punched for the eccentric cleats are therefore very precise, making the composition very accurate and easy to assemble.
- » Fabrication manuals and precise software enable the fabricator to proceed swiftly.
- » Sapa Building System offers its software SapaLogic, an open concept for automation, to fabricators who have a CNC machining center.

Project support & service

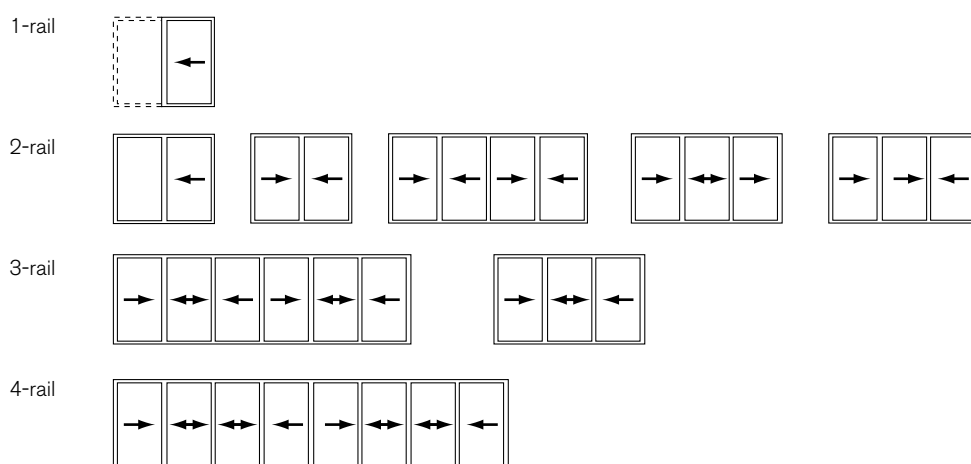
- » Sapa Building System's experienced Project Team will advise you on the best product solutions
- » We can help you with pricing, strength calculations, building connections, thermal simulations, etc..
- » Specific project solutions can be developed
- » Samples, catalogues, technical specifications and digital drawings are available



SapaLogic is a user-friendly calculation program for fast, efficient and complete calculation of windows, doors, structures, curtain walls and conservatories. SapaLogic is very much complete but modular still: the different versions can be adapted to your company's needs.

SapaThermic is detailed thermal simulation software for doors, windows, sliding systems and curtain walls. It can either be linked to SapaLogic or act as a stand-alone version.

Applications



Dimensions

Min. sightline horizontal	93,5 mm
Min. sightline vertical	98 mm
Min. sightline transom in vent	50,5 mm
Min. Profile depth frame 1-rail	50 mm
Min. Profile depth frame 2-rail	50 / 84 mm
Min. Profile depth frame 3-rail	97 / 130 mm
Min. Profile depth frame 4-rail	143,5 / 177 mm
Min. Profile depth vent	36,5 mm

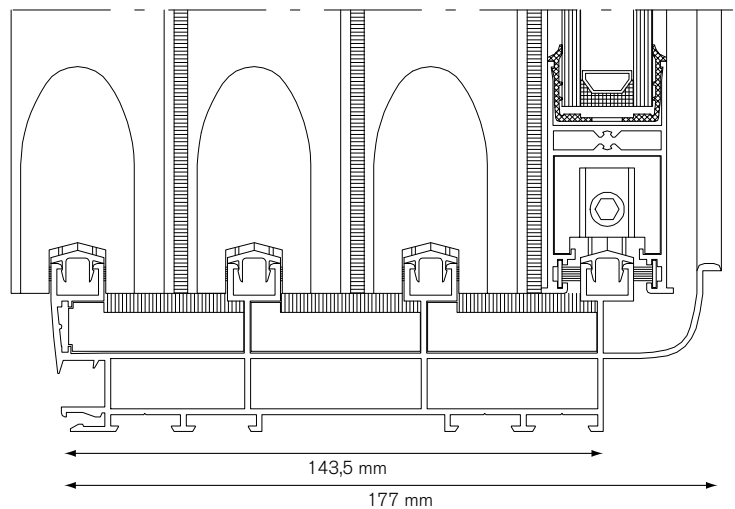
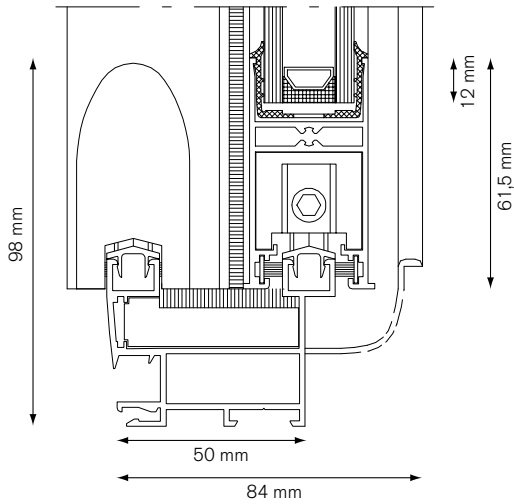
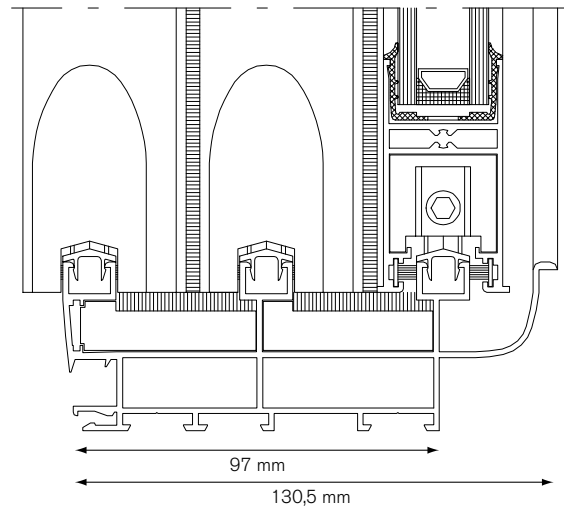
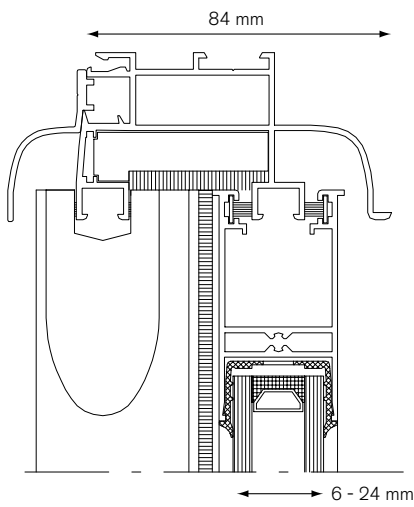
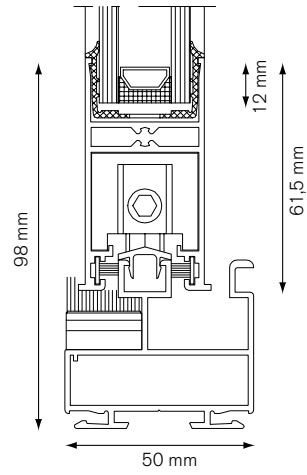
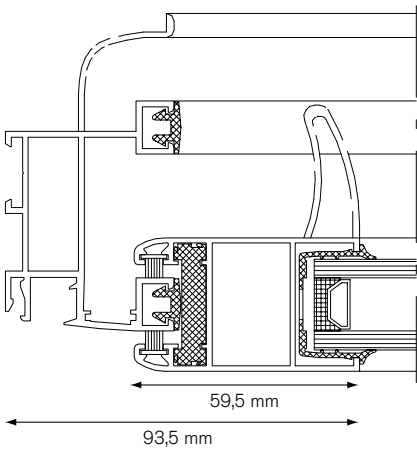
Glazing

Infill thickness	6 - 24 mm
Glazing method	pocket glazed
Gaskets	EPDM

Performances

Air permeability	A3	500 Pa	NF P 20 501 / NF P 20 302
Water tightness	E2	300 Pa	NF P 20 501 / NF P 20 302
Wind resistance, security test	V2	1000 Pa, security 1700 Pa	NF P 20 501 / NF P 20 302
Acoustic insulation	$R_w (C;C_{tr}) = 33 (-1;-2)$ dB (FA9/6/FA9)		EN ISO 717 / EN ISO 140

This information is only an indication. For more information, please consult your local Sapa Building System branch.



Sapa Building System, is one of the largest suppliers of aluminium building systems in Europe and is part of the Swedish group Sapa. The core business is the development and distribution of aluminium profile systems. Sapa Building System aims for well-developed systems and project solutions offering a tangible added value to fabricators, architects, investors and home-owners.

Windows and Doors

Sliding Systems

Curtain Walls

Conservatories

Balustrades, gates and others

BIPV

Your local Sapa Building System fabricator

Sapa Building System NV

Postal address **Industrielaan 17, BE-8810 Lichtervelde** Tel. **+32 51 72 96 66** Fax **+32 51 72 96 89**

Postal address **Industriezone Roosveld 11, BE-3400 Landen** Tel. **+32 11 69 03 11** Fax **+32 11 83 20 04**

E-mail **buildingsystem.be@sapagroup.com** Website **www.sapabuildingsystem.be**

